

Brown Innovations Protective Face Shield - XL

Technical Information



Materials:

Shield - .015" APET
Head Band – ¼" PVC (Sintra)
Forehead Padding - EPDM Foam
Side Padding – Vinyl Foam
Strap – 3/8" Elastic with SS Staple

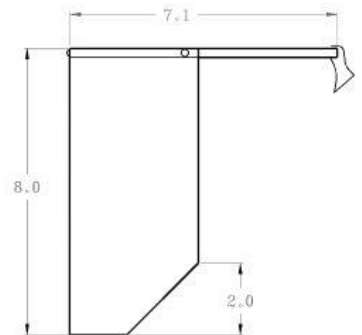
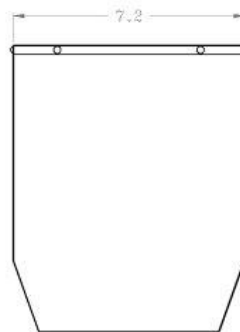
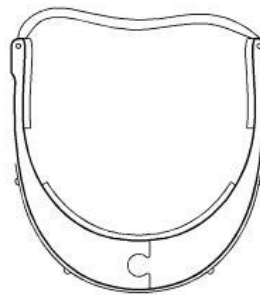
Dimensions: 7.1" x 7.2" x 8"

Weight

2.2 Oz

Product Overview

Face Shield protects from infectious air born droplets
Comfortable
Lightweight
Very thin shield for greater clarity
Anti-Fogging.
Room for N95 Mask and glasses.
Rubber padding for greater comfort.
Rigid frame for secure coupling with the head
Lightweight for less fatigue and longer period use.
One size fits most for simplicity.
UVC sterilized from the factory.



Sales & Marketing: (773) 477-7500

Manufacturing: (617) 357-1000

 WWW.BROWNINGINNOVATIONS.COM